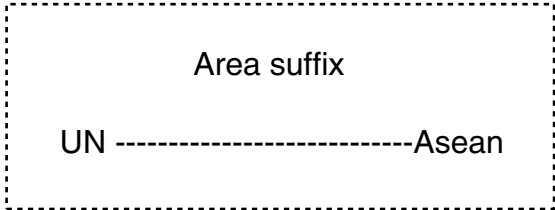


# PARTS LIST

[ KS-FX7 ]

\* All printed circuit boards and its assemblies are not available as service parts.



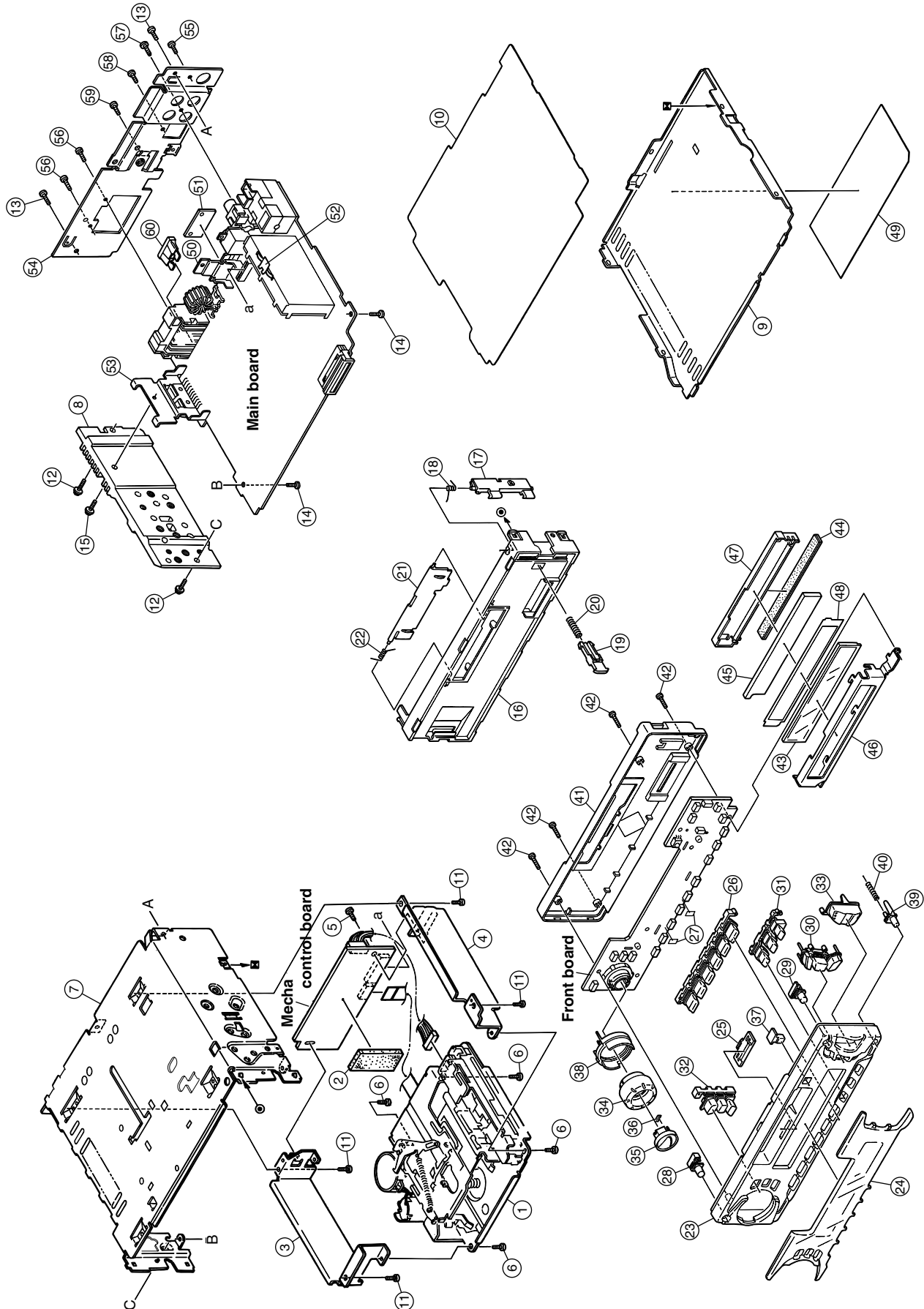
- Contents -

Exploded view of general assembly and parts list (Block No.M1) .....	3- 2
Cassette mechanism assembly and parts list (Block No.MP) .....	3- 5
Electrical parts list (Block No.01~03) .....	3-10
Packing materials and accessories parts list (Block No.M3,M5) .....	3-16

# Exploded view of general assembly and parts list

Block No. 

M	1	M	M
---	---	---	---



**Parts list (General assembly)**

Block No. M1MM

△	Item	Parts number	Parts name	Q'ty	Description	Area
	1	-----	CDS-801	1		
	2	FSYH4036-050	SHEET	1		
	3	FSKL2001-003	MECHA BRACKET(L)	1		
	4	FSKL2002-001	MECHA BRACKET(R)	1		
	5	QYSDST2606Z	SCREW	1	PCB+MECHA	
	6	QYSDST2606Z	SCREW	4	MECHA+M.BKT	
	7	FSJC1056-001	TOP CHASSIS	1		
	8	FSMH3001-201	SIDE PANEL	1		
	9	FSKM3011-002	BOTTOM COVER	1		
	10	FSMA3004-203	INSULATOR	1		
	11	QYSDST2604Z	SCREW	4	CHASSIS+MECHA BKT	
	12	FSKZ4005-001	SCREW	2	CHASSIS+SIDE PANEL	
	13	QYSDST2604Z	SCREW	2	CHASSIS+REAR BKT	
	14	QYSDST2606Z	SCREW	2	CHASSIS+MAIN PWB	
	15	FSKZ4005-001	SCREW	1	SIDE PANEL+IC BKT	
	16	FSJC1052-002	FRONT CHASSIS	1		
	17	FSKS3010-001	LOCK LEVER	1		
	18	FSKW4005-003	TORSION SPRING	1		
	19	FSXP3026-002	RLS KNOB	1		
	20	FSKW3002-004	COMP.SPRING	1		
	21	FSJC3014-003	CASSETTE LID	1		
	22	VKW4947-002	DOOR SPRING	1		
	23	GE10001-001B	FRONT PANEL	1		
	24	GE30101-006B	FINDER ASSY	1		
	25	FSJK3014-001	LIGHT LENS	1		
	26	GE20104-001B	PRESET BUTTON	1	1-6	
	27	FSYH4036-069	SHEET	2		
	28	GE30105-002B	POWER BUTTON	1		
	29	GE30109-002A	EJECT BUTTON	1		
	30	GE20110-001C	D.FUNCT BUTTON	1		
	31	GE30106-001A	SND FUNC BUTTON	1	SCM	
	32	GE20103-001A	PUSH BUTTON(3)	1	LOUD,DISP,SCAN	
	33	GE20109-001C	UP DOWN BUTTON	1		
	34	GE30103-001C	KNOB	1		
	35	GE30102-001A	SEL BUTTON	1		
	36	FSYH4036-032	SHEET	1		
	37	FSJK4009-001	REMOTE LENS	1		
	38	GE30104-001A	RIM LENS	1		
	39	FSXP3055-001	DETACH BUTTON	1		
	40	FSKW3002-012	COMP. SPRING	1		
	41	GE10002-001A	REAR COVER	1		
	42	VKZ4777-001	MINI SCREW	4	F.PANEL+REAR COVER	
	43	QLD0156-001	LCD	1	LCD1	
	44	QNZ0440-001	RUBBER CONNE	1		
	45	FSJK3033-001	LCD LENS	1		
	46	GE30110-001B	LCD CASE	1		
	47	FSKS3020-002	LENS CASE	1		
	48	FSYH4075-002	SHEET	1		

**■ Parts list (General assembly)**

Block No. M1MM

⚠	Item	Parts number	Parts name	Q'ty	Description	Area
	49	GE30239-002A	NAME PLATE	1		
	50	GE40103-001A	IC BRACKET	1		
	51	GE40107-002A	HEAT SINK (2)	1		
	52	VMA4652-001SS	EARTH PLATE	1		
	53	FSKL4018-00B	IC BRACKET	1		
	54	FSKM3010-011	REAR BRACKET	1		
	55	QYSDST2606Z	SCREW	1	REAR BKT+ANT JACK	
	56	QYSDST2606Z	SCREW	2	REAR BKT+16P CONNECTOR	
	57	QYSDSF3006Z	SCREW	1	REAR BKT+PIN JACK	
	58	QYSDST2606Z	SCREW	1	REAR BKT+CD IN JACK	
	59	QYSDST2606Z	SCREW	1	REAR BKT+REG IC	
⚠	60	QMFZ047-100-T	FUSE	1		



**■ Parts list (Cassette mechanism)**

Block No. MPMM

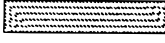




△	Item	Parts number	Parts name	Q'ty	Description	Area
	1	X-0801-1003S	MAIN CHASSIS AS	1		
	2	X-0801-1002S	SLIDE CHASSIS A	1		
	3	X-0801-1008S	SIDE BKT ASS'Y	1		
	4	X-0801-1010S	EJECT CAM LIMIT	1		
	5	X-0801-1013S	CASSETTE HANGER	1		
	9	1-0801-6002S	FLYWHEEL ASSY F	1		
	10	X-0801-2003S	GEAR BASE ASS'Y	1		
	11	X-0801-2021S	PINCH ARM F ASS	1		
	12	X-0801-2022S	PINCH ARM R ASS	1		
	13	1-0801-6003S	FLYWHEEL ASSY R	1		
	16	X-0801-7006S	SUB MOTOR ASS'Y	1		
	17	X-0801-7057S	MAIN MOTOR ASSY	1		
	21	1-0801-1003S	DIRECTION PLATE	1		
	22	1-0801-1004S	DIRECTION LINK	1		
	23	1-0801-1005S	PINCH SPG ARM	1		
	24	1-0801-1006S	CASSETTE GUIDE	1		
	25	1-0801-1007S	LOAD ARM	1		
	26	1-0801-1009S	HEAD SUPT SPG	1		
	27	1-0801-1011S	EJECT CAM PLATE	1		
	28	1-0801-1012S	CASSETTE HOLDER	1		
	30	1-0801-1020S	REINFORCE BRKT	1		
	32	1-0101-2056S	IDLE PULLEY(A1)	1		
	33	1-0801-2004S	REDUCTION GEARA	1		
	34	1-0801-2005S	REDUCTION GEARB	1		
	35	1-0801-2006S	SPG HOLDER F	1		
	36	1-0801-2007S	FRICTION GEARPL	1		
	37	1-0801-2008S	FRICTION GEARFF	1		
	38	1-0801-2009S	MODE GEAR	1		
	39	1-0801-2010S	REEL SPINDLE	2		
	40	1-0801-2011S	REEL DRIVER	2		
	41	1-0801-2014S	GEAR BASE ARM	1		
	42	1-0801-2015S	GEAR BASE LINK	1		
	43	1-0801-2016S	TAKE UP GEAR	1		
	44	1-0801-2017S	REFLECTOR GEAR	1		
	45	1-0801-2018S	MODE RACK	1		
	46	1-0801-2019S	MODE SW ACTUATR	1		
	47	1-0801-2020S	TAPE GUIDE	1		
	48	1-0801-2023S	LOAD RACK	1		
	49	1-0801-2024S	RACK LINK	1		
	50	1-0801-2025S	CASSETTE CATCH	1		
	51	1-0801-2030S	SPG HOLDER R	1		
	55	1-0801-3005S	RACK COLLAR	1		
	59	1-0801-4001S	PINCH ARM SPG	1		
	60	1-0801-4002S	TU SPG	1		
	61	1-0801-4003S	FF SPG	1		
	63	1-0801-4005S	EJECTCAM PLT SP	1		
	64	1-0801-4006S	HOLDER CUSH SPG	1		
	65	1-0801-4007S	GEAR BASE SPG	1		

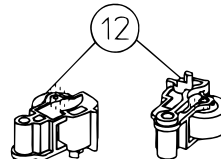
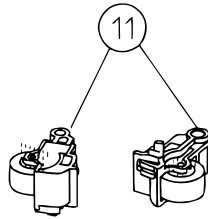
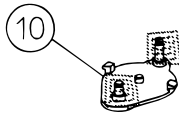
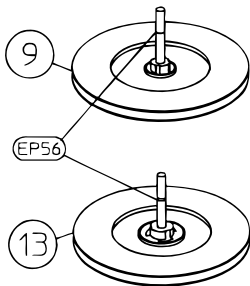
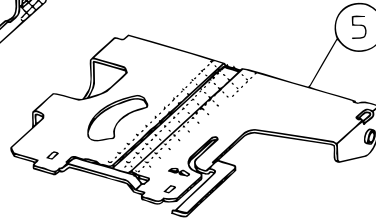
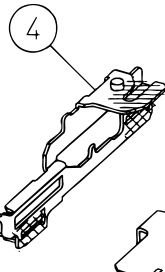
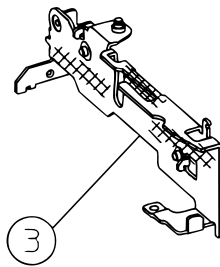
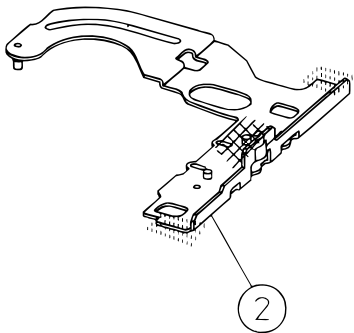
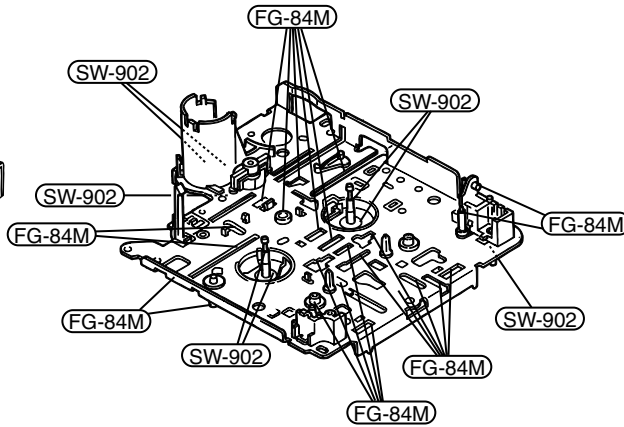
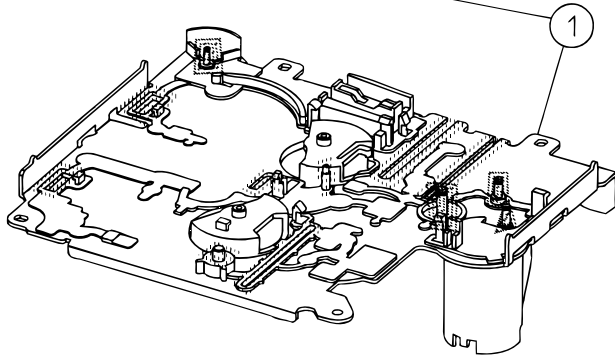
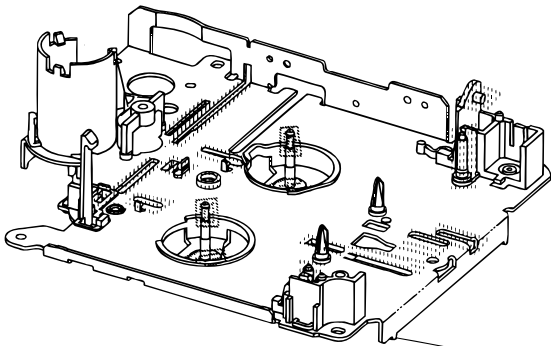
**Parts list (Cassette mechanism)**

Block No. MPMM

△	Item	Parts number	Parts name	Q'ty	Description	Area
	66	1-0801-4008S	REEL DRIVER SPG	2		
	67	1-0801-4009S	LOAD ARM SPG	1		
	68	1-0801-4011S	HOLDER STAB SPG	1		
	71	1-0801-5001S	BELT	1		
	72	1-0801-5002S	FELT	1	7.5*18.5*1.0	
	73	1-0801-5003S	AZIMUTH SCR	2		
	74	1-0801-5004S	FELT	1	11*18.5*1.0	
	75	1-0801-5005S	REEL WASHER	2		
	76	21732-6280-36S	LUG PLATE	1		
	82	1-0801-7001S	REEL PCB DL	1		
	84	1-0801-7003S	SW(MATSUSHITA)	2	(ESE22MH2L)	
	85	1-0801-7005S	SW	1	(ALPS SPPB64)	
	86	1-0801-7024S	PHOTO SENSOR	1	(ON2170-QR FS)	
	87	1-0801-7026S	FLAT CABLE 10P	1		
	91	1-0801-7014S	HEAD	1	(MITSUMIP-5544)	
	93	10801-7009-0S	M.MOTOR WIRE	1	BLACK	
	94	10801-7009-1S	M.MOTOR WIRE	1	RED	
	95	10801-7010-0S	S.MOTOR WIRE	1	ORANGE	
	96	10801-7010-1S	S.MOTOR WIRE	1	BROWN	
	97	10801-7015-0S	HEAD WIRE BLACK	1		
	98	10801-7015-1S	HEAD WIRE BROWN	1		
	99	10801-7015-2S	HEAD WIRE RED	1		
	100	10801-7015-3S	HEAD WIRE ORANG	1		
	101	10801-7015-4S	HEAD WIRE YELLO	1		
	102	10801-7015-5S	HEAD WIRE WHITE	1		
	103	1-0801-7016S	HEAD PCB	1		
	104	1-0801-7025S	CONN S6B-PH-K-S	1		
	105	21382-3060-C2S	+PLAIN B-TYPE	1	M2.3*6.0	
	106	2-1032-0025-C2S	+SCREW PLAIN	2	M2*2.5	
	107	21332-0035-P1S	S-TYPE PRECISIO	2	M2*3.5	
	108	21112-6035-C2S	+SCREW PLAIN	1	M2.6*3.5	
	109	2-1816-0032-E8S	LMW-S	2	1.6*3.2*0.35	
	110	21812-0032-D2S	PSW-S	1	1.2*3.2*0.25	
	111	1-0036-5024S	PSW-S(REEL B)	2	1.5*3.2*0.25	
	113	2-1821-0040-D1S	PSW	2	2.1*4.0*0.25	
	114	21821-0040-D2S	PSW-S	1	2.1*4.0*0.25	
	117	2-1711-5040-16S	E-RING	1	1.5	

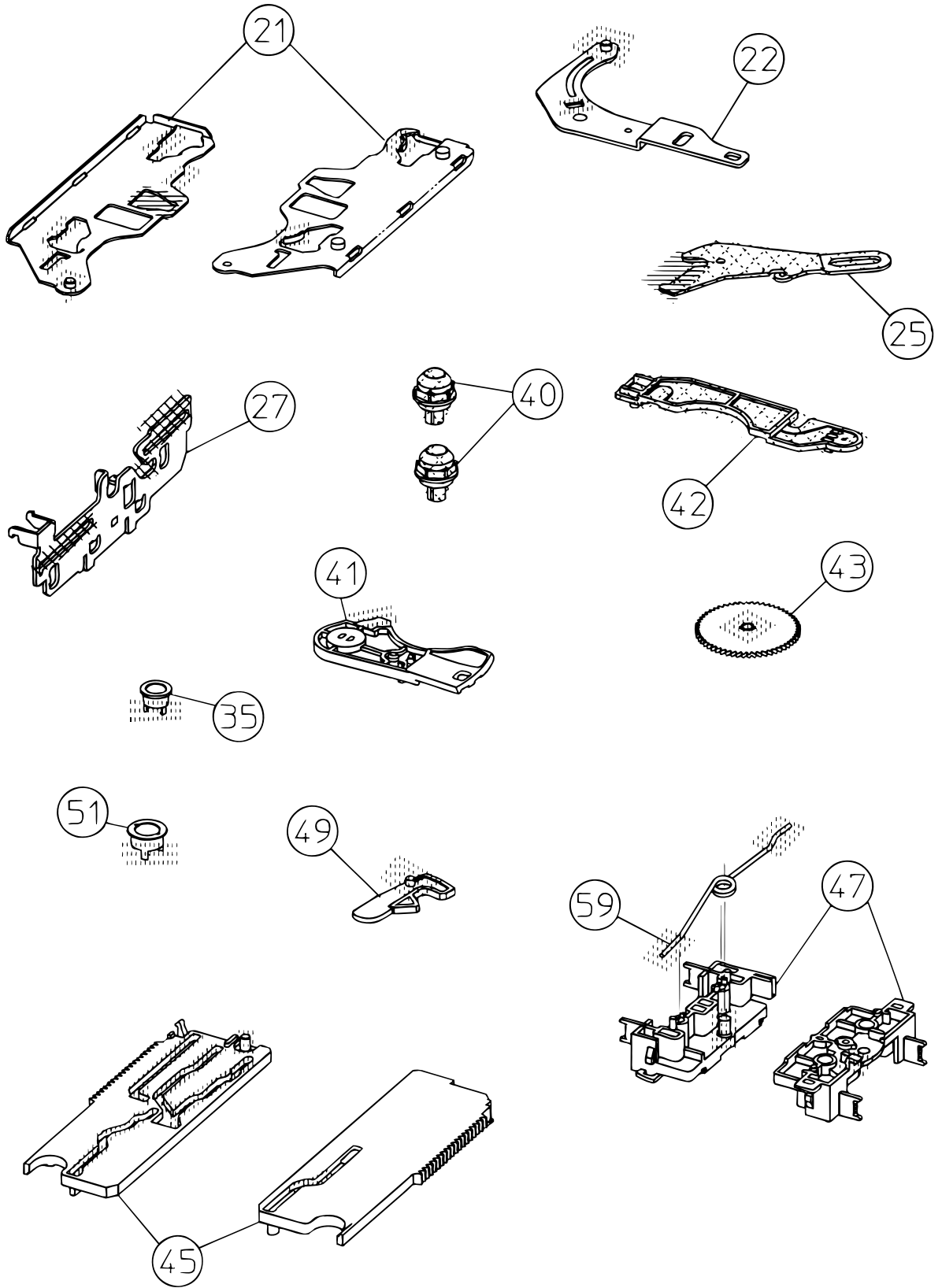
# Grease point 1/2

	SW-902
	SW-522B
	FG-84M
	CFD-409
	LEN-315Y2





# Grease point 2/2



## ■ Electrical parts list (Main board)

Block No. 01

△	Item	Parts number	Parts name	Remarks	Area
C 1		QERF1CM-106Z	E CAPACITOR	10MF 20% 16V	
C 2		QEKJ1CM-106Z	E CAPACITOR	10MF 20% 16V	
C 4		QDVB1EZ-223Y	C CAPACITOR		
C 6		QDYB1CM-103Y	C CAPACITOR		
C 8		QCBB1HK-121Y	C CAPACITOR	120PF 10% 50V	
C 9		QEKJ1HM-104Z	E CAPACITOR	0.1MF 20% 50V	
C 10		QDGB1HK-102Y	C CAPACITOR		
C 12		QDYB1CM-103Y	C CAPACITOR		
C 13		QERF1AM-107Z	E CAPACITOR	100MF 20% 10V	
C 31		QEKJ1HM-104Z	E CAPACITOR	0.1MF 20% 50V	
C 32		QEKJ1HM-104Z	E CAPACITOR	0.1MF 20% 50V	
C 33		QEQF1HM-225Z	E CAPACITOR	2.2MF 20% 50V	
C 34		QDGB1HK-102Y	C CAPACITOR		
C 35		QERF1AM-227Z	E CAPACITOR	220MF 20% 10V	
C 81		QDX11EK-223Z	C CAPACITOR		
C 82		QERF1HM-105Z	E CAPACITOR	1.0MF 20% 50V	
C 91		QDX11EK-223Z	C CAPACITOR		
C 92		QERF1HM-105Z	E CAPACITOR	1.0MF 20% 50V	
C 162		QERF1HM-105Z	E CAPACITOR	1.0MF 20% 50V	
C 163		QERF1HM-105Z	E CAPACITOR	1.0MF 20% 50V	
C 164		QLA1HJ-822Z	M CAPACITOR	8200PF 5% 50V	
C 165		QFV61HJ-154Z	MF CAPACITOR	0.15MF 5% 50V	
C 166		QFV61HJ-224Z	MF CAPACITOR	0.22MF 5% 50V	
C 167		QFV61HJ-333Z	MF CAPACITOR	0.033MF 5% 50V	
C 168		QDXB1CM-682Y	C CAPACITOR		
C 172		QERF1HM-105Z	E CAPACITOR	1.0MF 20% 50V	
C 173		QERF1HM-105Z	E CAPACITOR	1.0MF 20% 50V	
C 174		QLA1HJ-822Z	M CAPACITOR	8200PF 5% 50V	
C 175		QFV61HJ-154Z	MF CAPACITOR	0.15MF 5% 50V	
C 176		QFV61HJ-224Z	MF CAPACITOR	0.22MF 5% 50V	
C 177		QFV61HJ-333Z	MF CAPACITOR	0.033MF 5% 50V	
C 178		QDXB1CM-682Y	C CAPACITOR		
C 181		QERF1HM-105Z	E CAPACITOR	1.0MF 20% 50V	
C 182		QERF1HM-105Z	E CAPACITOR	1.0MF 20% 50V	
C 191		QERF1HM-105Z	E CAPACITOR	1.0MF 20% 50V	
C 192		QERF1HM-105Z	E CAPACITOR	1.0MF 20% 50V	
C 195		QERF1CM-476Z	E CAPACITOR	47MF 20% 16V	
C 196		QERF1AM-107Z	E CAPACITOR	100MF 20% 10V	
C 197		QERF1AM-107Z	E CAPACITOR	100MF 20% 10V	
C 198		QDYB1CM-103Y	C CAPACITOR		
C 199		QCFB1HZ-104Y	C CAPACITOR	0.1MF +80:-20%	
C 241		QERF1HM-105Z	E CAPACITOR	1.0MF 20% 50V	
C 242		QERF1CM-226Z	E CAPACITOR	22MF 20% 16V	
C 243		QCFB1HZ-473Y	C CAPACITOR	0.047MF +80:-20%	
C 244		QERF1HM-474Z	E CAPACITOR	0.47MF 20% 50V	
C 301		QEKJ1CM-106Z	E CAPACITOR	10MF 20% 16V	
C 302		QERF1HM-225Z	E CAPACITOR	2.2MF 20% 50V	
C 303		QERF1EM-475Z	E CAPACITOR	4.7MF 20% 25V	
C 304		QDYB1CM-103Y	C CAPACITOR		
C 305		QDYB1CM-103Y	C CAPACITOR		
C 306		QDYB1CM-103Y	C CAPACITOR		
C 321		QCBB1HK-471Y	C CAPACITOR	470PF 10% 50V	
C 331		QCBB1HK-471Y	C CAPACITOR	470PF 10% 50V	
C 341		QCBB1HK-471Y	C CAPACITOR	470PF 10% 50V	
C 351		QCBB1HK-471Y	C CAPACITOR	470PF 10% 50V	
C 701		QDUB1HJ-270Y	C CAPACITOR		
C 702		QDCB1HJ-220Y	C CAPACITOR		
C 703		QERF1CM-106Z	E CAPACITOR	10MF 20% 16V	
C 704		QERF0JM-107Z	E CAPACITOR	100MF 20% 6.3V	
C 705		QFV61HJ-224Z	MF CAPACITOR	0.22MF 5% 50V	
C 707		QCFB1HZ-104Y	C CAPACITOR	0.1MF +80:-20%	
C 710		QCFB1HZ-104Y	C CAPACITOR	0.1MF +80:-20%	
C 781		QERF1AM-227Z	E CAPACITOR	220MF 20% 10V	

△	Item	Parts number	Parts name	Remarks	Area
C 782		QERF1CM-476Z	E CAPACITOR	47MF 20% 16V	
C 801		QCFB1HZ-473Y	C CAPACITOR	0.047MF +80:-20%	
C 901		QEZ0518-228	E CAPACITOR	2200MF	
C 902		QERF1CM-106Z	E CAPACITOR	10MF 20% 16V	
C 903		QERF1AM-227Z	E CAPACITOR	220MF 20% 10V	
C 904		QERF1AM-227Z	E CAPACITOR	220MF 20% 10V	
C 905		QERF1CM-106Z	E CAPACITOR	10MF 20% 16V	
C 906		QERF1CM-106Z	E CAPACITOR	10MF 20% 16V	
C 907		QERF1CM-106Z	E CAPACITOR	10MF 20% 16V	
C 909		QDYB1CM-103Y	C CAPACITOR		
C 910		QERF1AM-227Z	E CAPACITOR	220MF 20% 10V	
C 911		QFV61HJ-104Z	MF CAPACITOR	0.1MF 5% 50V	
C 912		QEZ0423-228	E CAPACITOR	2200MF	
C 917		QFV11HJ-334AZ	MF CAPACITOR	0.33MF 5% 50V	
CJ321		QNN0170-001	PIN JACK (REEL)		
CJ701		VMC0334-001	CONNECTOR		
CP701		QGB1214J1-18S	CONNECTOR		
CP801		QNZ0095-001	CONNECTOR		
CP981		QNZ0002-001	16P CONNECTOR		
D 1		1SS133-T2	SI DIODE		
D 2		1SS133-T2	SI DIODE		
D 31		MTZJ9.1C-T2	ZENER DIODE		
D 32		1SS133-T2	SI DIODE		
D 241		RB721Q-T2	S.B.DIODE		
D 242		RB721Q-T2	S.B.DIODE		
D 310		1SS133-T2	SI DIODE		
D 321		1SS254-T2	SI DIODE		
D 702		1SS133-T2	SI DIODE		
D 704		1SS133-T2	SI DIODE		
D 705		MTZJ5.6B-T2	ZENER DIODE		
D 706		MTZJ5.6B-T2	ZENER DIODE		
D 707		MTZJ5.6B-T2	ZENER DIODE		
D 708		MTZJ5.6B-T2	ZENER DIODE		
D 709		MTZJ5.6B-T2	ZENER DIODE		
D 710		MTZJ5.6B-T2	ZENER DIODE		
D 711		MTZJ5.6B-T2	ZENER DIODE		
D 712		MTZJ5.6B-T2	ZENER DIODE		
D 713		MTZJ5.6B-T2	ZENER DIODE		
D 715		MTZJ5.6B-T2	ZENER DIODE		
D 718		RB721Q-T2	S.B.DIODE		
D 781		1SS254-T2	SI DIODE		
D 782		MTZJ11B-T2	ZENER DIODE		
D 901		1N5401-TU-15	DIODE		
D 903		DSK10C-T1	DIODE		
D 904		DSK10C-T1	DIODE		
D902A		1SS254-T2	SI DIODE		
IC161		TEA6320T-X	IC		
IC301		HA13158A	IC		
IC701		LC72366-9985	IC		
IC801		HD74HC126P	IC		
IC901		AN80T05	IC		
IC902		KIA7810PI	10V REGULATOR		
J 1		QNB0100-002	ANT TERMINAL		
L 1		QQL231K-4R7Y	INDUCTOR		
L 901		QQR0703-001	CHOKE COIL		
L 902		QQL231K-470Y	INDUCTOR		
L 903		QQL231K-470Y	INDUCTOR		
Q 4		KRC102M-T	D.TRANSISTOR		
Q 31		KTC3199/GL/-T	TRANSISTOR		
Q 32		KTC3199/GL/-T	TRANSISTOR		
Q 241		KTC3199/GL/-T	TRANSISTOR		
Q 301		KRC102M-T	D.TRANSISTOR		
Q 321		2SD2144S/VW/-T	TRANSISTOR		

■ Electrical parts list (Main board)

Block No. 01

△	Item	Parts number	Parts name	Remarks	Area
	Q 351	2SD2144S/VW/-T	TRANSISTOR		
	Q 701	KTC3199/GL/-T	TRANSISTOR		
	Q 781	KRA102M-T	D.TRANSISTOR		
	Q 782	KRA102M-T	D.TRANSISTOR		
	Q 901	KTA1267/YG/-T	TRANSISTOR		
	Q 902	KRC102M-T	D.TRANSISTOR		
	Q 903	KRA102M-T	D.TRANSISTOR		
	Q 904	KRC102M-T	D.TRANSISTOR		
	Q 905	2SA1706/ST/-T	TRANSISTOR		
	Q 906	KRC102M-T	D.TRANSISTOR		
	Q 907	KTA1267/YG/-T	TRANSISTOR		
	Q 976	KTA1267/YG/-T	TRANSISTOR		
	Q 977	KTC3199/GL/-T	TRANSISTOR		
	R 1	QRE141J-100Y	C RESISTOR	10 5% 1/4W	
	R 4	QRE141J-100Y	C RESISTOR	10 5% 1/4W	
	R 6	QRE141J-820Y	C RESISTOR	82 5% 1/4W	
	R 7	QRE141J-103Y	C RESISTOR	10K 5% 1/4W	
	R 8	QRE141J-822Y	C RESISTOR	8.2K 5% 1/4W	
	R 9	QRE141J-223Y	C RESISTOR	22K 5% 1/4W	
	R 10	RB721Q-T2	S.B.DIODE		
	R 31	QRE141J-102Y	C RESISTOR	1.0K 5% 1/4W	
	R 32	QRE141J-102Y	C RESISTOR	1.0K 5% 1/4W	
	R 33	QRE141J-102Y	C RESISTOR	1.0K 5% 1/4W	
	R 34	QRE141J-103Y	C RESISTOR	10K 5% 1/4W	
	R 35	QRE141J-152Y	C RESISTOR	1.5K 5% 1/4W	
	R 36	QRE141J-471Y	C RESISTOR	470 5% 1/4W	
	R 81	QRE141J-272Y	C RESISTOR	2.7K 5% 1/4W	
	R 82	QRE141J-562Y	C RESISTOR	5.6K 5% 1/4W	
	R 91	QRE141J-272Y	C RESISTOR	2.7K 5% 1/4W	
	R 92	QRE141J-562Y	C RESISTOR	5.6K 5% 1/4W	
	R 161	QRE141J-223Y	C RESISTOR	22K 5% 1/4W	
	R 162	QRE141J-222Y	C RESISTOR	2.2K 5% 1/4W	
	R 163	QRE141J-392Y	C RESISTOR	3.9K 5% 1/4W	
	R 164	QRE141J-122Y	C RESISTOR	1.2K 5% 1/4W	
	R 171	QRE141J-223Y	C RESISTOR	22K 5% 1/4W	
	R 172	QRE141J-222Y	C RESISTOR	2.2K 5% 1/4W	
	R 173	QRE141J-392Y	C RESISTOR	3.9K 5% 1/4W	
	R 174	QRE141J-122Y	C RESISTOR	1.2K 5% 1/4W	
	R 195	QRE141J-100Y	C RESISTOR	10 5% 1/4W	
	R 241	QRE141J-154Y	C RESISTOR	150K 5% 1/4W	
	R 242	QRE141J-154Y	C RESISTOR	150K 5% 1/4W	
	R 243	QRE141J-184Y	C RESISTOR	180K 5% 1/4W	
	R 244	QRE141J-223Y	C RESISTOR	22K 5% 1/4W	
	R 245	QRE141J-123Y	C RESISTOR	12K 5% 1/4W	
	R 246	QRE141J-101Y	C RESISTOR	100 5% 1/4W	
	R 247	QRE141J-102Y	C RESISTOR	1.0K 5% 1/4W	
	R 248	QRE141J-563Y	C RESISTOR	56K 5% 1/4W	
	R 301	QRE141J-472Y	C RESISTOR	4.7K 5% 1/4W	
	R 302	QRE141J-303Y	C RESISTOR	30K 5% 1/4W	
	R 303	QRE141J-102Y	C RESISTOR	1.0K 5% 1/4W	
	R 321	QRE141J-273Y	C RESISTOR	27K 5% 1/4W	
	R 322	QRE141J-823Y	C RESISTOR	82K 5% 1/4W	
	R 325	QRE141J-222Y	C RESISTOR	2.2K 5% 1/4W	
	R 331	QRE141J-273Y	C RESISTOR	27K 5% 1/4W	
	R 332	QRE141J-823Y	C RESISTOR	82K 5% 1/4W	
	R 341	QRE141J-273Y	C RESISTOR	27K 5% 1/4W	
	R 342	QRE141J-823Y	C RESISTOR	82K 5% 1/4W	
	R 343	QRE141J-102Y	C RESISTOR	1.0K 5% 1/4W	
	R 344	QRE141J-101Y	C RESISTOR	100 5% 1/4W	
	R 351	QRE141J-273Y	C RESISTOR	27K 5% 1/4W	
	R 352	QRE141J-823Y	C RESISTOR	82K 5% 1/4W	
	R 353	QRE141J-102Y	C RESISTOR	1.0K 5% 1/4W	
	R 354	QRE141J-101Y	C RESISTOR	100 5% 1/4W	

△	Item	Parts number	Parts name	Remarks	Area
	R 355	QRE141J-222Y	C RESISTOR	2.2K 5% 1/4W	
	R 701	QRE141J-473Y	C RESISTOR	47K 5% 1/4W	
	R 702	QRE141J-473Y	C RESISTOR	47K 5% 1/4W	
	R 703	QRE141J-472Y	C RESISTOR	4.7K 5% 1/4W	
	R 704	QRE141J-472Y	C RESISTOR	4.7K 5% 1/4W	
	R 705	QRE141J-472Y	C RESISTOR	4.7K 5% 1/4W	
	R 706	QRE141J-472Y	C RESISTOR	4.7K 5% 1/4W	
	R 708	QRE141J-472Y	C RESISTOR	4.7K 5% 1/4W	
	R 709	QRE141J-473Y	C RESISTOR	47K 5% 1/4W	
	R 710	QRE141J-473Y	C RESISTOR	47K 5% 1/4W	
	R 711	QRE141J-473Y	C RESISTOR	47K 5% 1/4W	
	R 712	QRE141J-473Y	C RESISTOR	47K 5% 1/4W	
	R 713	QRE141J-563Y	C RESISTOR	56K 5% 1/4W	
	R 714	QRE141J-473Y	C RESISTOR	47K 5% 1/4W	
	R 716	QRE141J-473Y	C RESISTOR	47K 5% 1/4W	
	R 717	QRE141J-472Y	C RESISTOR	4.7K 5% 1/4W	
	R 718	QRE141J-472Y	C RESISTOR	4.7K 5% 1/4W	
	R 719	QRE141J-472Y	C RESISTOR	4.7K 5% 1/4W	
	R 720	QRE141J-472Y	C RESISTOR	4.7K 5% 1/4W	
	R 721	QRE141J-222Y	C RESISTOR	2.2K 5% 1/4W	
	R 722	QRE141J-222Y	C RESISTOR	2.2K 5% 1/4W	
	R 723	QRE141J-222Y	C RESISTOR	2.2K 5% 1/4W	
	R 724	QRE141J-332Y	C RESISTOR	3.3K 5% 1/4W	
	R 725	QRE141J-332Y	C RESISTOR	3.3K 5% 1/4W	
	R 727	QRE141J-473Y	C RESISTOR	47K 5% 1/4W	
	R 728	QRE141J-222Y	C RESISTOR	2.2K 5% 1/4W	
	R 729	QRE141J-222Y	C RESISTOR	2.2K 5% 1/4W	
	R 730	QRE141J-222Y	C RESISTOR	2.2K 5% 1/4W	
	R 731	QRE141J-472Y	C RESISTOR	4.7K 5% 1/4W	
	R 733	QRE141J-103Y	C RESISTOR	10K 5% 1/4W	
	R 734	QRE141J-103Y	C RESISTOR	10K 5% 1/4W	
	R 735	QRE141J-103Y	C RESISTOR	10K 5% 1/4W	
	R 736	QRE141J-103Y	C RESISTOR	10K 5% 1/4W	
	R 737	QRE141J-103Y	C RESISTOR	10K 5% 1/4W	
	R 738	QRE141J-222Y	C RESISTOR	2.2K 5% 1/4W	
	R 741	QRE141J-103Y	C RESISTOR	10K 5% 1/4W	
	R 742	QRE141J-103Y	C RESISTOR	10K 5% 1/4W	
	R 743	QRE141J-472Y	C RESISTOR	4.7K 5% 1/4W	
	R 746	QRE141J-473Y	C RESISTOR	47K 5% 1/4W	
	R 747	QRE141J-473Y	C RESISTOR	47K 5% 1/4W	
	R 750	QRE141J-243Y	C RESISTOR	24K 5% 1/4W	
	R 801	QRE141J-104Y	C RESISTOR	100K 5% 1/4W	
	R 802	QRE141J-104Y	C RESISTOR	100K 5% 1/4W	
	R 803	QRE141J-101Y	C RESISTOR	100 5% 1/4W	
	R 804	QRE141J-334Y	C RESISTOR	330K 5% 1/4W	
	R 805	QRE141J-334Y	C RESISTOR	330K 5% 1/4W	
	R 806	QRE141J-104Y	C RESISTOR	100K 5% 1/4W	
	R 807	QRE141J-101Y	C RESISTOR	100 5% 1/4W	
	R 808	QRE141J-223Y	C RESISTOR	22K 5% 1/4W	
	R 809	QRE141J-103Y	C RESISTOR	10K 5% 1/4W	
	R 810	QRE141J-104Y	C RESISTOR	100K 5% 1/4W	
	R 811	QRE141J-682Y	C RESISTOR	6.8K 5% 1/4W	
	R 812	QRE141J-242Y	C RESISTOR	2.4K 5% 1/4W	
	R 813	QRE141J-242Y	C RESISTOR	2.4K 5% 1/4W	
	R 814	QRE141J-682Y	C RESISTOR	6.8K 5% 1/4W	
	R 901	QRE141J-101Y	C RESISTOR	100 5% 1/4W	
	R 902	QRE141J-682Y	C RESISTOR	6.8K 5% 1/4W	
	R 903	QRE141J-113Y	C RESISTOR	11K 5% 1/4W	
	R 908	QRE141J-473Y	C RESISTOR	47K 5% 1/4W	
	R 909	QRE141J-102Y	C RESISTOR	1.0K 5% 1/4W	
	R 976	QRE141J-433Y	C RESISTOR	43K 5% 1/4W	
	R 977	QRE141J-683Y	C RESISTOR	68K 5% 1/4W	
	R 978	QRE141J-273Y	C RESISTOR	27K 5% 1/4W	

## ■ Electrical parts list (Main board)

Block No. 01

△	Item	Parts number	Parts name	Remarks	Area
	R 979	QRE141J-473Y	C RESISTOR	47K 5% 1/4W	
	TU 1	QAU0205-002	TUNER		
	X 701	QAX0406-001Z	CRYSTAL		

■ Electrical parts list (Mecha control board) Block No. 02

△	Item	Parts number	Parts name	Remarks	Area
	C 651	NCB31HK-103X	C CAPACITOR		
	C 652	NBE20JM-475X	TS E CAPACITOR		
	C 653	NCB21HK-681X	C CAPACITOR		
	C 654	NBE20JM-475X	TS E CAPACITOR		
	CP701	VMC0335-001	CONNECTOR		
	D 601	SML-310LT/MN/-X	LED		
	D 602	LNJ308G81/1-3/X	LED		
	D 603	LNJ308G81/1-3/X	LED		
	D 604	LNJ308G81/1-3/X	LED		
	D 605	LNJ308G81/1-3/X	LED		
	D 606	LNJ308G81/1-3/X	LED		
	D 607	LNJ308G81/1-3/X	LED		
	D 608	LNJ308G81/1-3/X	LED		
	D 609	LNJ308G81/1-3/X	LED		
	D 610	LNJ308G81/1-3/X	LED		
	D 611	SML-310DT/KL/-X	LED		
	D 612	LNJ308G81/1-3/X	LED		
	D 614	LNJ308G81/1-3/X	LED		
	D 615	LNJ308G81/1-3/X	LED		
	D 616	LNJ308G81/1-3/X	LED		
	D 617	LNJ308G81/1-3/X	LED		
	D 618	LNJ308G81/1-3/X	LED		
	D 619	LNJ308G81/1-3/X	LED		
	D 620	LNJ308G81/1-3/X	LED		
	D 621	LNJ308G81/1-3/X	LED		
	D 622	LNJ308G81/1-3/X	LED		
	D 623	LNJ308G81/1-3/X	LED		
	D 625	LNJ308G81/1-3/X	LED		
	D 626	LNJ308G81/1-3/X	LED		
	D 627	LNJ308G81/1-3/X	LED		
	D 652	MA152WA-X	DIODE		
	D 653	MA152WA-X	DIODE		
	D 654	MA152WK-X	SI DIODE		
	D 655	MA152WK-X	SI DIODE		
	D 657	MA3062/H/-X	ZENER DIODE		
	IC651	LC75823W	IC		
	IC652	RPM6938-SV4	IC		
	JS601	QSW0793-001	ROTARY ENCODER		
	PL601	QLL0033-003	LAMP		
	PL603	QLL0033-003	LAMP		
	R 601	NRSA63J-681X	MG RESISTOR		
	R 602	NRSA63J-561X	MG RESISTOR		
	R 603	NRSA63J-681X	MG RESISTOR		
	R 604	NRSA63J-911X	MG RESISTOR		
	R 605	NRSA63J-122X	MG RESISTOR		
	R 606	NRSA63J-152X	MG RESISTOR		
	R 607	NRSA63J-681X	MG RESISTOR		
	R 608	NRSA63J-561X	MG RESISTOR		
	R 609	NRSA63J-681X	MG RESISTOR		
	R 610	NRSA63J-911X	MG RESISTOR		
	R 611	NRSA63J-122X	MG RESISTOR		
	R 612	NRSA63J-152X	MG RESISTOR		
	R 613	NRSA63J-681X	MG RESISTOR		
	R 614	NRSA63J-561X	MG RESISTOR		
	R 615	NRSA63J-681X	MG RESISTOR		
	R 616	NRSA63J-911X	MG RESISTOR		
	R 617	NRSA63J-122X	MG RESISTOR		
	R 631	NRSA63J-821X	MG RESISTOR		
	R 633	NRSA02J-471X	MG RESISTOR		
	R 634	NRSA02J-561X	MG RESISTOR		
	R 635	NRSA63J-681X	MG RESISTOR		
	R 636	NRSA63J-271X	MG RESISTOR		
	R 637	NRSA02J-271X	MG RESISTOR		

△	Item	Parts number	Parts name	Remarks	Area
	R 638	NRSA63J-271X	MG RESISTOR		
	R 639	NRSA02J-271X	MG RESISTOR		
	R 640	NRSA63J-471X	MG RESISTOR		
	R 641	NRSA02J-821X	MG RESISTOR		
	R 651	NRSA63J-152X	MG RESISTOR		
	R 652	NRSA02J-473X	MG RESISTOR		
	R 653	NRSA63J-184X	MG RESISTOR		
	R 654	NRSA63J-103X	MG RESISTOR		
	R 655	NRSA63J-103X	MG RESISTOR		
	R 656	NRSA63J-103X	MG RESISTOR		
	R 657	NRSA63J-103X	MG RESISTOR		
	R 658	NRSA63J-470X	MG RESISTOR		
	R 663	NRSA63J-101X	MG RESISTOR		
	S 601	NSW0066-001X	TACT SWITCH		
	S 602	NSW0066-001X	TACT SWITCH		
	S 603	NSW0066-001X	TACT SWITCH		
	S 604	NSW0066-001X	TACT SWITCH		
	S 605	NSW0066-001X	TACT SWITCH		
	S 606	NSW0066-001X	TACT SWITCH		
	S 607	NSW0066-001X	TACT SWITCH		
	S 608	NSW0066-001X	TACT SWITCH		
	S 609	NSW0066-001X	TACT SWITCH		
	S 610	NSW0066-001X	TACT SWITCH		
	S 611	NSW0066-001X	TACT SWITCH		
	S 612	NSW0066-001X	TACT SWITCH		
	S 613	NSW0066-001X	TACT SWITCH		
	S 614	NSW0066-001X	TACT SWITCH		
	S 615	NSW0066-001X	TACT SWITCH		
	S 616	NSW0066-001X	TACT SWITCH		
	S 617	NSW0066-001X	TACT SWITCH		
	S 618	NSW0066-001X	TACT SWITCH		
	S 619	NSW0066-001X	TACT SWITCH		
	S 620	NSW0066-001X	TACT SWITCH		

## ■ Electrical parts list (Front board)

Block No. 03

△	Item	Parts number	Parts name	Remarks	Area
	C 401	NDC31HJ-101X	C CAPACITOR		
	C 402	NDC31HJ-101X	C CAPACITOR		
	C 403	NDC31HJ-101X	C CAPACITOR		
	C 404	NDC31HJ-101X	C CAPACITOR		
	C 405	NDC31HJ-101X	C CAPACITOR		
	C 406	NDC31HJ-101X	C CAPACITOR		
	C 407	NDC31HJ-101X	C CAPACITOR		
	C 408	NDC31HJ-101X	C CAPACITOR		
	C 409	QEKJ1CM-226Z	E CAPACITOR	22MF 20% 16V	
	C 410	QFV61HJ-153Z	MF CAPACITOR	0.015MF 5% 50V	
	C 411	QFV61HJ-153Z	MF CAPACITOR	0.015MF 5% 50V	
	C 412	NCB31EK-104X	C CAPACITOR		
	C 413	NCB31EK-104X	C CAPACITOR		
	C 414	QEKJ1CM-226Z	E CAPACITOR	22MF 20% 16V	
	C 415	NCB31EK-103X	C CAPACITOR		
	C 418	NDC31HJ-221X	C CAPACITOR		
	C 419	QEKJ1HM-474Z	E CAPACITOR	0.47MF 20% 50V	
	C 421	NCB31HK-103X	C CAPACITOR		
	C 422	NCB31EK-104X	C CAPACITOR		
	C 423	QERF1CM-106Z	E CAPACITOR	10MF 20% 16V	
	C 424	NCB31EK-104X	C CAPACITOR		
	C 425	NCB31HK-103X	C CAPACITOR		
	CN401	QGB1214K1-18S	CONNECTOR		
	CN402	VMP3501-001	WIRE		
	CN403	QGF1219F1-10S	CONNECTOR		
	D 401	MA3047/H/-X	ZENER DIODE		
	D 402	DSK10C-T1	DIODE		
	IC401	CXA2559Q	IC		
	IC402	LB1641	IC		
	Q 402	DTC114EKA-X	TRANSISTOR		
	Q 403	2SB1322/RS/-T	TRANSISTOR		
	R 401	NRS181J-391X	MG RESISTOR		
	R 402	NRSA63J-104X	MG RESISTOR		
	R 403	NRSA63J-104X	MG RESISTOR		
	R 404	NRSA63J-104X	MG RESISTOR		
	R 405	NRSA63J-104X	MG RESISTOR		
	R 406	NRSA63J-181X	MG RESISTOR		
	R 407	NRSA63J-181X	MG RESISTOR		
	R 408	NRSA63J-123X	MG RESISTOR		
	R 409	NRSA63J-243X	MG RESISTOR		
	R 410	NRSA63J-243X	MG RESISTOR		
	R 411	NRSA63J-123X	MG RESISTOR		
	R 412	NRSA02J-101X	MG RESISTOR		
	R 413	NRSA63J-183X	MG RESISTOR		
	R 414	NRSA63J-392X	MG RESISTOR		
	R 415	NRSA63J-223X	MG RESISTOR		
	R 416	NRSA63J-914X	MG RESISTOR		
	R 417	NRSA63J-103X	MG RESISTOR		
	R 418	NRSA63J-153X	MG RESISTOR		
	R 422	NRSA02J-332X	MG RESISTOR		
	R 423	NRS181J-473X	MG RESISTOR		
	R 424	NRSA02J-332X	MG RESISTOR		
	R 425	NRS181J-330X	MG RESISTOR		

< MEMO >

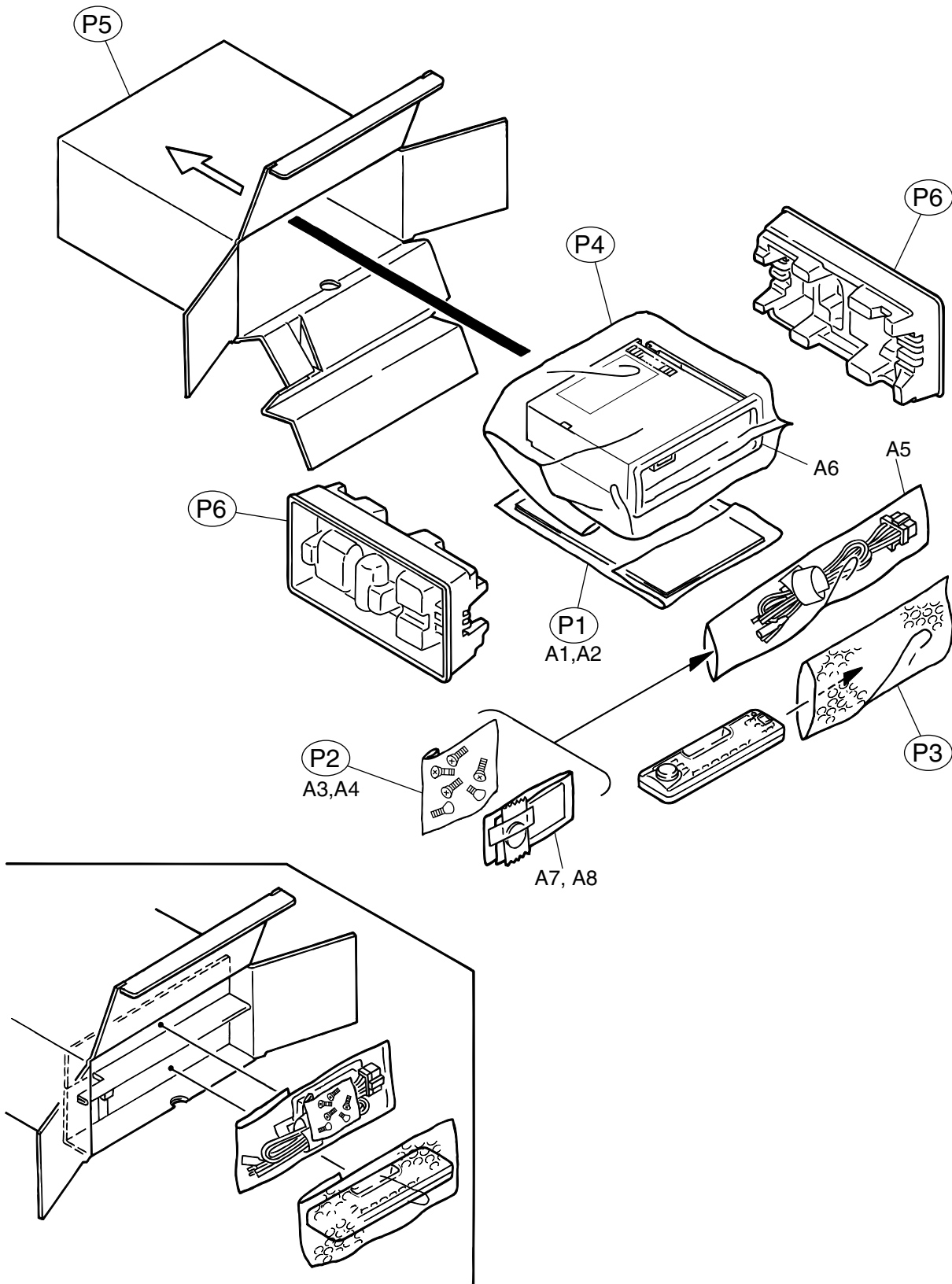
# Packing materials and accessories parts list

Block No. 

M	3	M	M
---	---	---	---

Block No. 

M	5	M	M
---	---	---	---





**Parts list (Packing)**

Block No. M3MM

△	Item	Parts number	Parts name	Q'ty	Description	Area
	P 1	FSPG4002-001	POLY BAG	1	INST.BOOK	
	P 2	QPA00801205	POLY BAG	1	SCREW	
	P 3	VPE4005-007	POLY BAG	1	FRONT	
	P 4	QPC03004315P	POLY BAG	1	SET	
	P 5	GE30123-036A	CARTON	1		
	P 6	GE10007-001A	PAPER CUSHION	2	LEFT/RIGHT SIDE	

**Parts list (Accessories)**

Block No. M5MM

△	Item	Parts number	Parts name	Q'ty	Description	Area
	A 1	GET0022-001A	INST.BOOK	1	ENG,INA	
	A 2	GET0022-002A	INSTALL MANUAL	1	ENG,INA	
	A 3	QYSDSP5006Z	SCREW	4		
	A 4	QYSSSP5006Z	SCREW	4		
	A 5	QAM0013-006	16P CORD ASS'Y	1		
	A 6	FSJD2034-004	TRIM PLATE	1		
	A 7	RM-RK31	REMOCON	1		
	A 8	QAB0014-001	BATTERY	1		